

Flexible connections

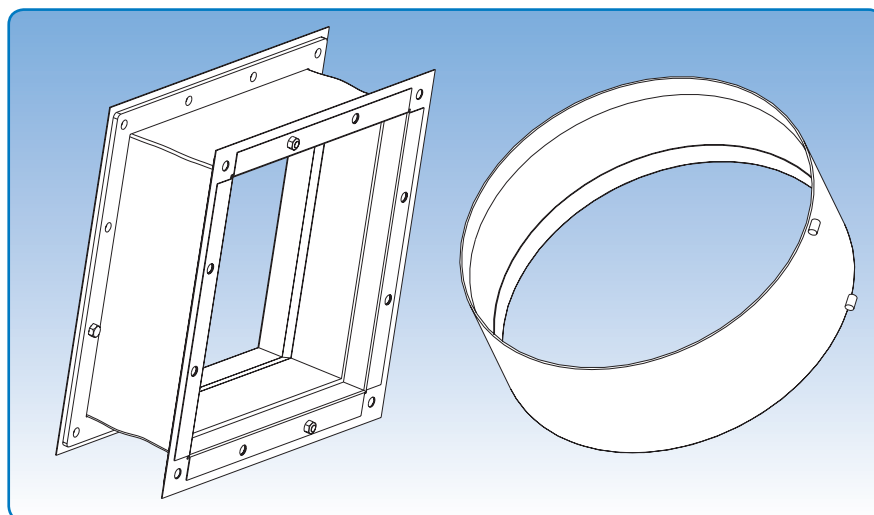
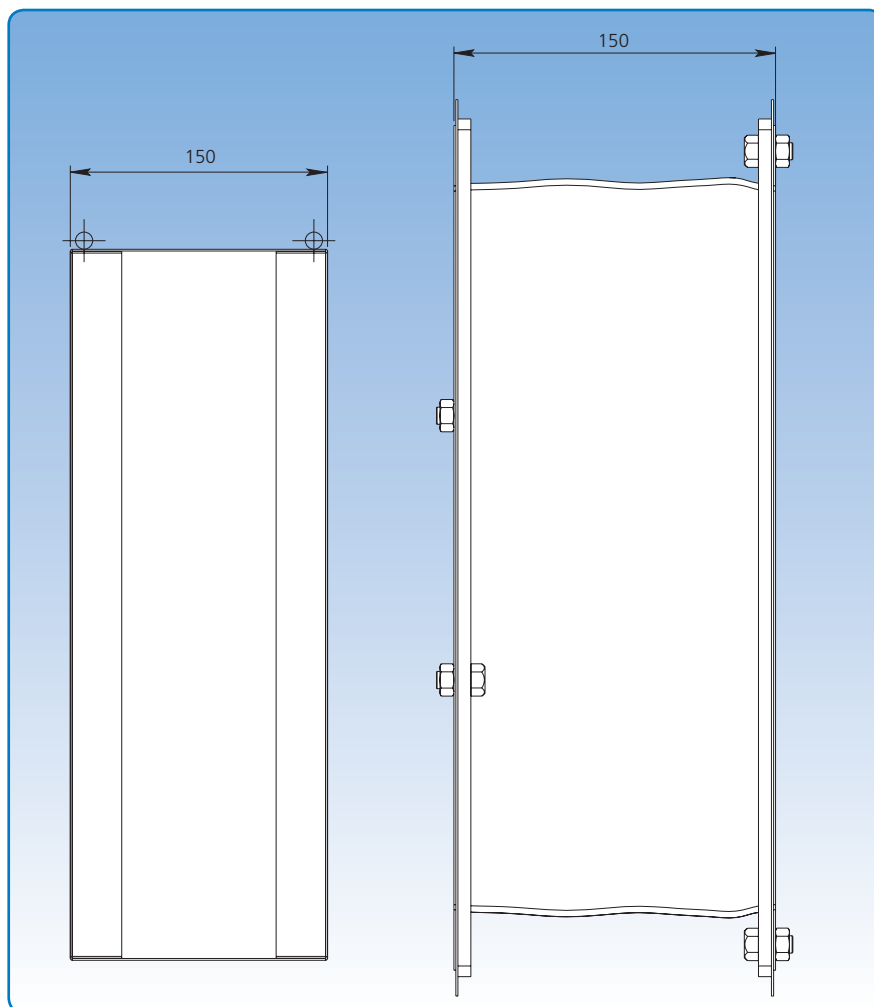
Technical catalogue: Accessories
 Section: 08
 Page: 7/9
 Revised: 01.06.2010

Circular and square flexible connections are available, with or without steel insert.

They are designed to fit the inlets and outlets of the fan range. Other dimensions can be produced to order.

A steel insert is usually included for transport fans and without for clean air fans.

They can also be fitted in standard duct systems.



Square with steel insert.

Circular without steel insert.