

## SuperJet filters

Technical catalogue: Filters  
 Section: 01  
 Revised: 31.01.2014

The SuperJet filters are under- and over-pressure filters designed to run in constant operation. The SuperJet filter is made of high tensile steel to ensure strength combined with low weight. The filter is self-supporting with adjustable legs, and can be erected outdoors or in.

### Fast assembly

SuperJet filters are factory-assembled as standard with a top part, filter body and bottom part, which can be quickly assembled and erected - or of course supplied separately. It is assembled using bolts in high tension steel with integrated washers, significantly reducing assembly time and the risk of over-tightening bolt assemblies.

### Surface

Galvanised sheet, class Z 275 - zinc plating min. 275 g/m<sup>2</sup> double-sided.

### Inlet

The inlet is designed according to the "partial downflow" principle. Contaminated air is passed into the filter and hits a perforated plate which separates most of the dust particles, which settle downwards through the vertical square conduit. The air diffuses through the perforated plate and through the filter bags.

### Cleaning system

PowerPulse® cleaning with ECO-PowerPulse® filter control system.

### Discharge system

The SuperJet filter is supplied with scraper bottom with discharge to a single B-500 rotary valve, but can be increased to two discharges, B-500 or B-750. Also available with discharge to JK-50S and JK-75S.

### ATEX

The SuperJet filter is approved as a zone 20 filter. The filter is fitted with approved explosion membranes. Choose between side venting or JKF's specially developed VFV® explosion relief venting, which vents explosion pressure vertically through the filter top. The filters fulfil pressure shock-resistance according to VDI 2263. Venting according to VDI 3673.

### Operating range

Pressure: +/- 5000 Pa (available up to +10 kPa to -10 kPa)  
 Filter area: 172 - 269 m<sup>2</sup>  
 Max. operating temperature: 65°C  
 Min. operating temperature: -20°C (available for -40°C)

### Connection

#### Gear motor scraper bottom:

0.75 kW, 7.8 min<sup>-1</sup>, 3x400 V, 50 Hz, 2.7 A

#### Inductive sensor scraper bottom:

24 VDC

#### ECO-PowerPulse® filter control system:

0.3 kW, 3x400 V, 50 Hz, 1.1 A (16 A)

#### External compressed air - PowerPulse®:

6.5 - 8.0 bar, min. 650 Nl/min.

Air quality according to ISO 8573-1: Quality class (5. 4. 4)

External connection: ¼" internal thread.



## SuperJet filters

Technical catalogue: Filters  
 Section: 01  
 Revised: 31.01.2014

### Noise

Noise level during cleaning measured 5 m above the ground: 69.8 dBA

### Accessories

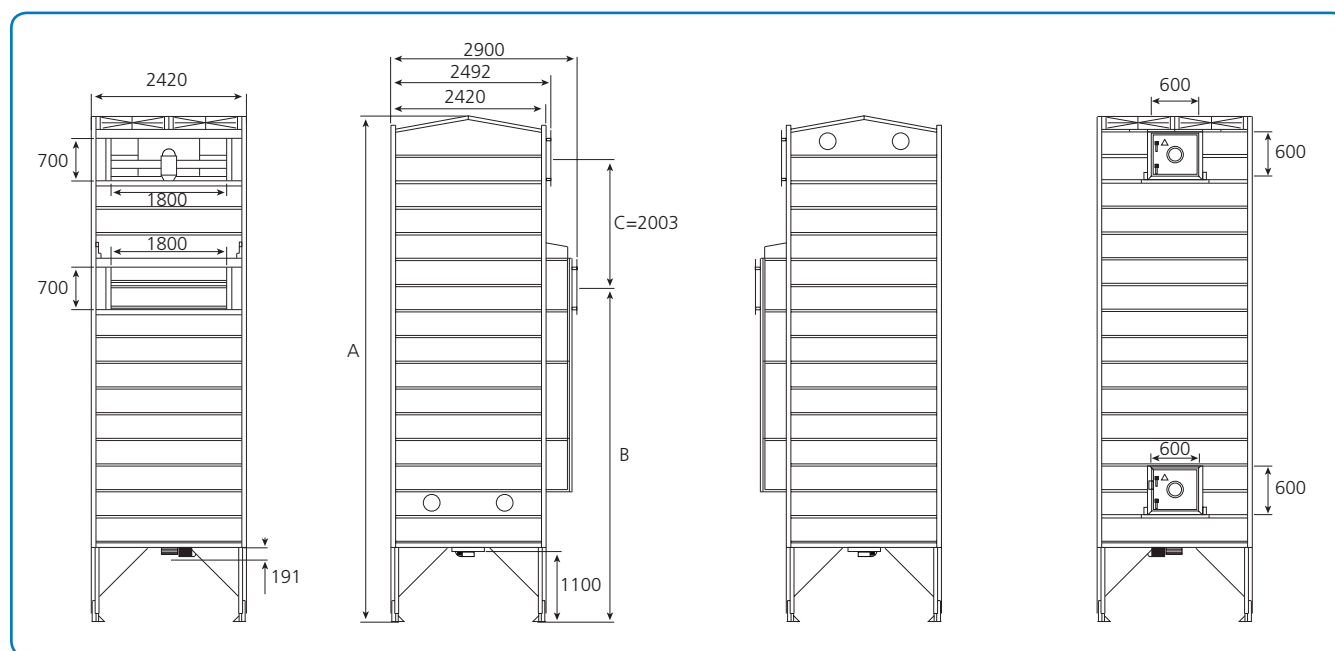
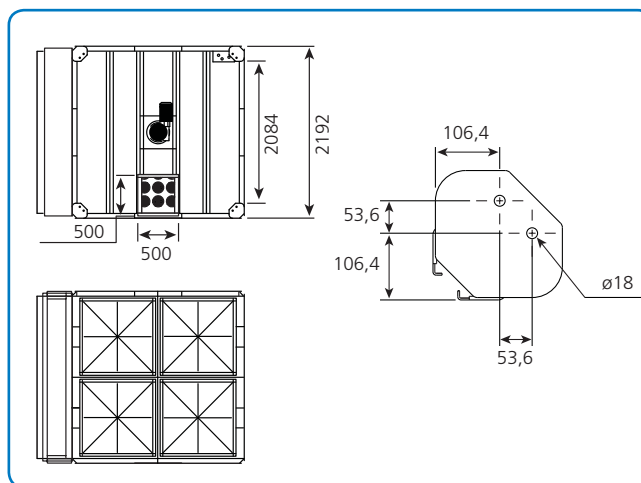
#### Ladder/gangway:

Ladder/gangway designed according to ISO/EN/DIN 14122.3/4 and available in several configurations: Ladder with gangway, side-mounted or ladder with double gangway, side-mounted.

Monitoring apparatus for explosion membrane.

#### Door contacts:

2.3 (close-before-switch-contact) in accordance with EN50047, IP67 NC contact.



Type	Bag length m	Filter area m <sup>2</sup>	A mm	B mm	Weight kg
SuperJet-3	3.0	172	7058	4411	3350
SuperJet-4	4.0	220	7858	5211	3790
SuperJet-5	5.0	269	8658	6011	4110