

## FCA Cyclone Series

**Technical catalogue:** Filters  
**Section:** 01  
**Revised:** 09.01.2018

### Overview

The FCA Cyclone separates air from dust. In principle, the cyclone should be fitted to a storage silo.

This range of FCA Cyclones are manufactured from sheet steel and finished with an undercoat and top coat of paint. There are 5 different models, depending on size of filtration required.

Our standard version includes an inlet, a cover and 4 fixing feet.

### Features

The SIE Series abide by the European Directive 2004/37/CE (5mg/m<sup>3</sup> air).

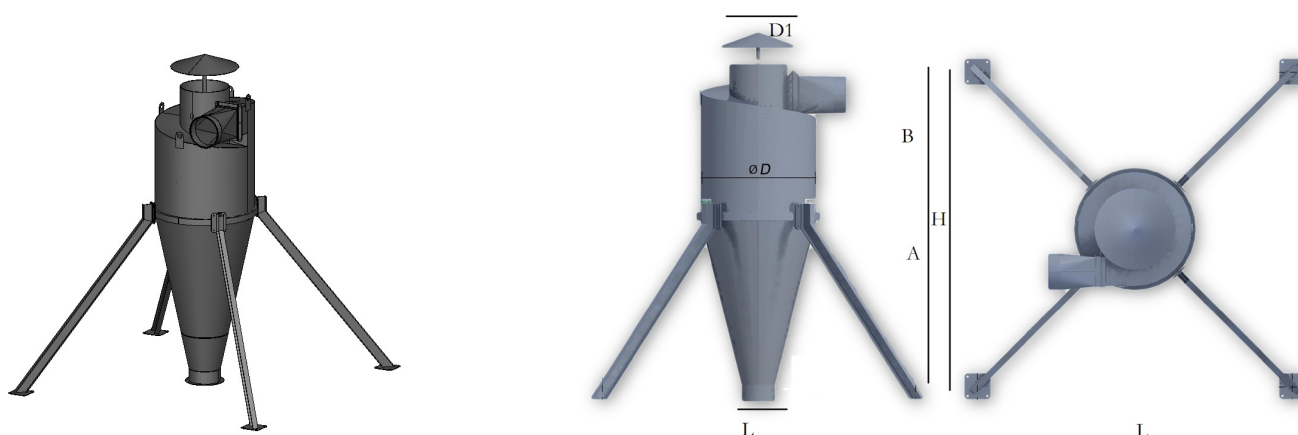
- Aluminium heavy gauge steel construction
- Minimum space requirement
- Re-cycled air
- Simple installation
- Versatile - easily extended from 1 to 5 bags
- Top or bottom inlet

### Options

Steel filter enclosure and electrically operated filter cleaning mechanism which is powered by a fractional h.p motor.



FCA CYCLONE SERIES



FCA-B CYCLONE SERIES

Model	Volume (m <sup>3</sup> h)	H (mm)	ø D (mm)	D1 (mm)	ø G (mm)	A (mm)	B (mm)	L (mm)	Weight (kg)
FCA - A	2,700-3,600	2,000	700	350	200	1,100	950	1,950	160
FCA - B	3,600-6,100	2,450	800	400	250	1,400	1,050	2,200	195
FCA - D	6,100-8,300	3,100	1,000	500	320	1,800	1,450	2,500	275
FCA - E	8,300-12,000	3,770	1,200	600	400	2,200	1,570	2,700	430
FCA - F	12,000-21,000	4,600	1,600	800	450	2,700	1,900	2,950	605