

## Extension arm

**Technical catalogue:** Extraction Arm  
**Section:** 01  
**Revised:** 01.07.2014

The FERCELL extension arm is compatible with the Ferrell ASA, Wing and Compact ranges. Despite their size, the extension arms are very smooth in operation, which is largely due to the special brass bushings in all the moveable joints. The extension arm can extend regular ASA, Wing and Compact arms by either 2.5m or 4.0m. The arms continue to rotate 360° when mounted on the installation flange (with the exception of the ASA which has a rotation of 270°)

### Description

**Wall bracket:** Matt black enamel steel console. The console's turn able joint is turn able 270° in that turning point, which is placed a little from the wall.

**Carrying arm:** Matt black enamel in strong 50x100 mm steel profile connected to the wall bracket via brass lined turn able joints. The 2.5m and 1-joint 4m extension arm has one turning point (at the wall bracket) and the 2-joint 4.0 m extension arm has two turning points at the wall bracket and in the middle of the arm.

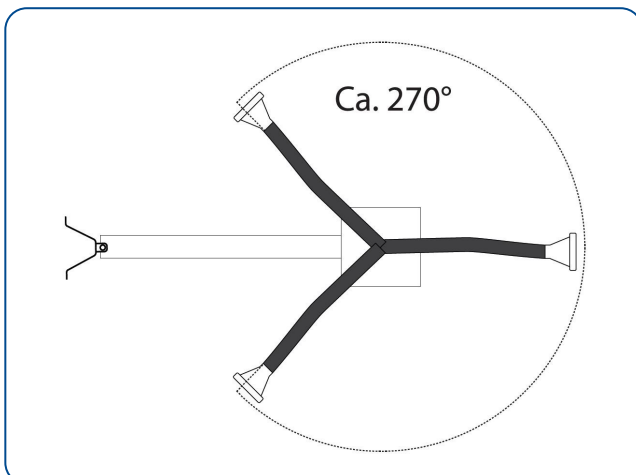
**Piping:** Ø160 mm galvanized Spiral duct with 90° bending for connection to the extraction system. 2- joints 4.0 m extension arm is equipped with ø160 mm flexible hose at the middle pivot.



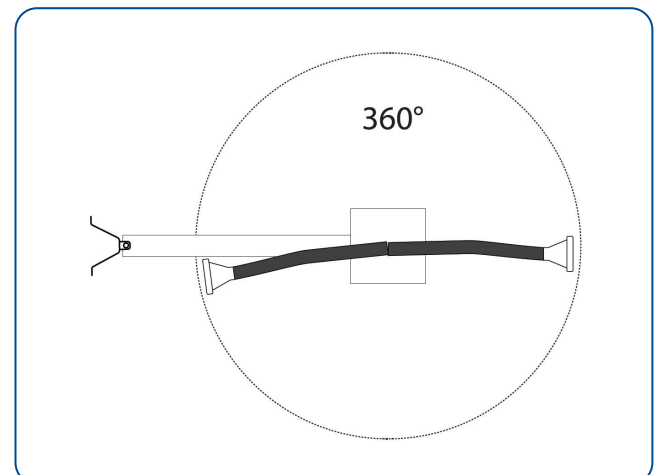
Extension Arm



Example



ASA Arm



Wing / Compact Arm