

Vaneometer Gauge

Technical catalogue: Ventilation
Section: LEV Accessories

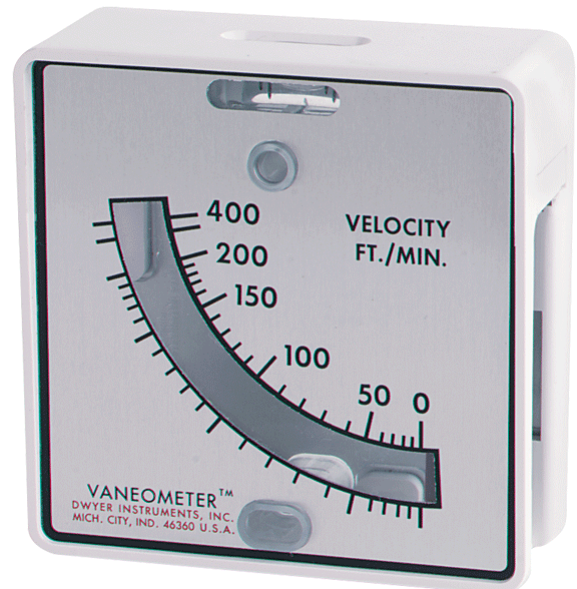
The Model 480 Vaneometer™ Swing Vane Anemometer is a durable, economically priced instrument specifically designed to simplify the measurement of low air velocities. It is accurate to $\pm 5\%$ of full-scale to 100 FPM and $\pm 10\%$ from 100 FPM to the top of scale. It has a spirit level to ensure accurate readings and the large scales are easy to read and visible from both sides.

Features

- Small size and weight for easy portability
- Easy to clean ABS plastic housing

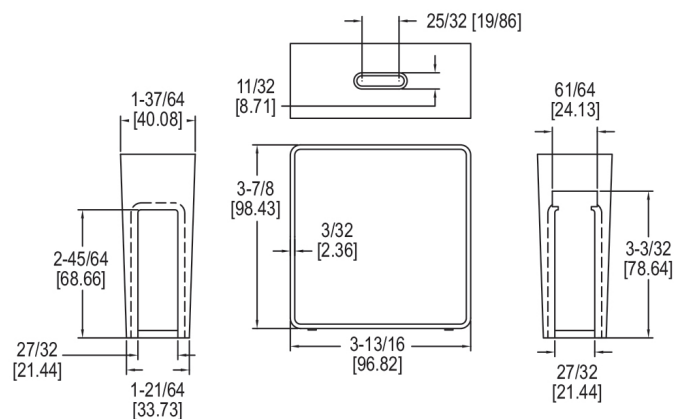
Applications

- Measure air flow into laboratory fume hoods



Use a Vaneometer™ swing vane anemometer to measure velocity of air flow into laboratory fume hoods and at paint spray booths to determine when to change filters. Or wherever needed to meet OSHA standards of ventilation for smoke, dust or fume removal.

Dimensions



Ordering table

| Model No. | Description |
|-----------|---------------|
| 480 | 25 to 400 FPM |
| M480 | 0 to 2.0 m/s |