

## Extension Arm

### Extraction Arm Ø160mm & Ø200mm

Technical catalogue: Fume Extraction  
Section: Extraction Arms

Geovent Wing arm is the classic extraction arm. It was our first extraction arm, and was manufactured the first time in 1968. With more than 10,000 manufactured units, it is a very tested construction, which is improved through the years, and it is suitable for all kinds of point extraction e.g. welding fumes, oil fog, steams and dust. The wing arm can be extended up to 4.5, 5.5, 6.0, 6.5, 7.0 or 8.0 m by means of extension arms.

As accessory the wing arm can be equipped with a directly connected fan MSF 200 0.75kW in either 220V or 380V.

#### Description

Ceiling bracket - 360° turn able: Powder enamel steel with brass bearing and VA rubber packing ring.

The arm has inner carrying arms with 3 stable self adjusting friction couplings, which ensures that the extraction arm is kept in the wanted position.

**Hood:** Light weight aluminum epoxyenamel with an integrated handle.

**Carrying arms:** 25 x 25 mm Aluminum pipe connected via knee joint with friction discs and pull springs.

#### Hose:

Black Weld in strong PVC/ polyester web with steel spiral. Temperature from -10°C to +80°C (Short +110°C).

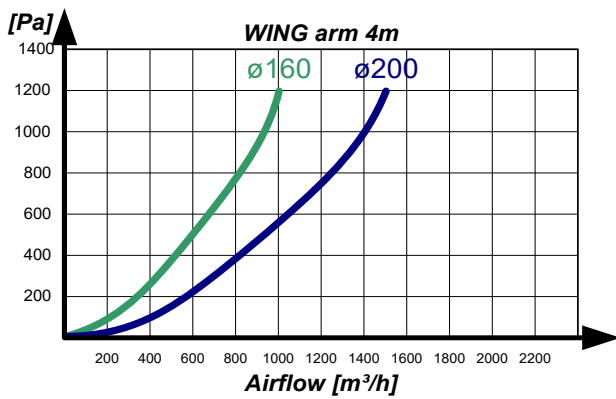
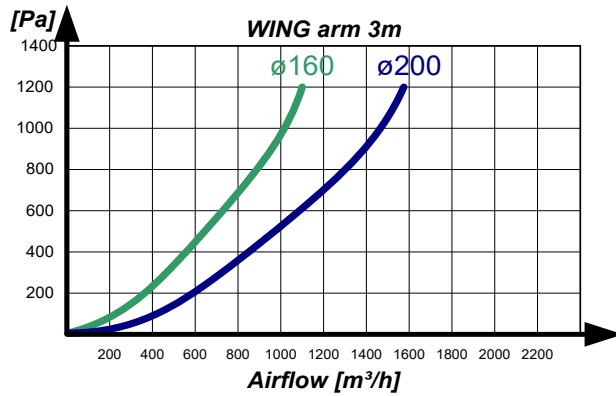
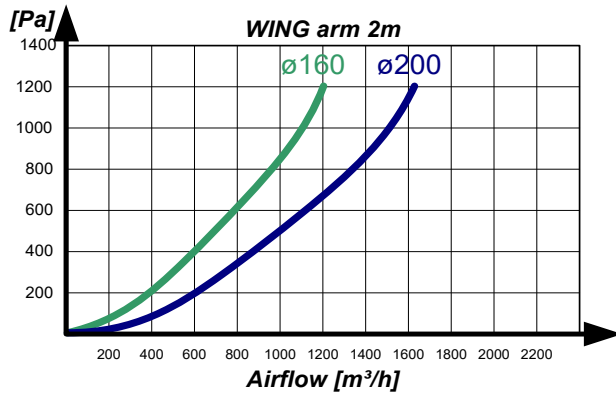
**Net weight:** 11 kg – 16 kg depending on model.



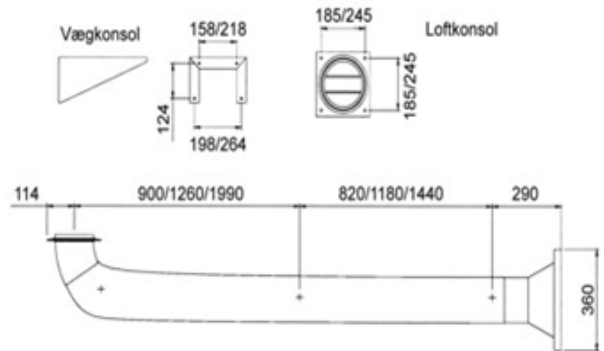
Ordering table	
Art.No.	Description
01-008	Wing arm ø160 mm 2m
01-009	Wing arm ø160 mm 3m
01-007	Wing arm ø160 mm 4m
01-007A	Wing arm ø203 mm 2m
01-008A	Wing arm ø203 mm 3m
01-009A	Wing arm ø203 mm 4m

Accessories WING arm	
Art. No.	Description
12-008	Air tight damper ø160 mm
12-009	Air tight damper ø200 mm
01-540	Wall bracket ø160 mm
01-541	Wall bracket ø200 mm
01-550	Extension arm 1m ø160 mm
01-550A	Extension arm 1m ø200 mm
01-130	Extension arm 2,5m ø160 mm
01-130A	Extension arm 2,5m ø200 mm
01-131	Extension arm 4,0m ø160 2 joints
01-132	Extension arm 4,0m ø200 2 joints
01-138	Extension arm 4,0m ø160 1 joint
01-139	Extension arm 4,0m ø200 1 joint

Pressure drop curves

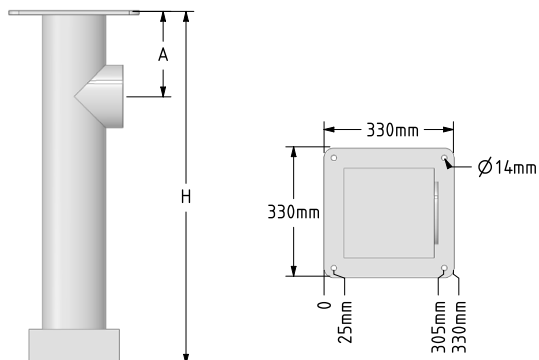


Dimension sketch



The Wing arm can be offered with built-in light, start/stop switch, manual or motorized damper.

Dimensions ceiling console



Wing arms Ø160mm 3m installed at technical school. Including automatic control devices for automatic start/stop of fan and motor damper.