

BDA Axial Fan Series

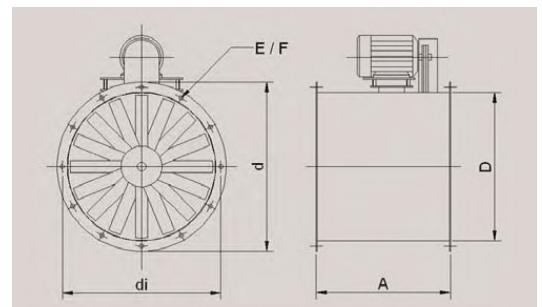
Technical catalogue: Spray Extraction
Section: Fans

The BDA Axial Fan Series is the perfect fan for paint spray booth extraction. It delivers effective and efficient paint fume extraction at low noise levels and is extremely flexible.

It is particularly crucial to extract paint fume in spray booth environments or rooms, due to the risk of chemicals found within paint and lacquer creating an explosive atmosphere. The other important factor to consider is the quality of the paint finish. The BDA Axial Fan Series will not compromise the quality of paint finish but still has the power to extract paint fume to a safe level for those working with it.

Suitable for applications where the motor is external to the air stream, the BDA Series is a belt driven axial flow fan incorporating an impellor keyed onto a drive shaft. The drive shaft forms parts of the transmission mounted within twin bearing blocks and driven by an isolated electric motor through pulleys and v belts.

All bearings, pulleys and v belts are isolated from the air stream inside a central tunnel, whilst the fully welded steel fan case incorporates access door, adjustable motor plate and ventilated drive guards.



BDA Range

Model	Volume m3/h	Pressure mm wg	Speed RPM	Power kW	A	D	dia. Ø	d	E	F	Weight Kg
400	2754	250	1550	0.75	450	400	440	460	8	10	35
400	4131	250	1550	1.10	450	400	440	460	8	10	39
500	5950	250	1550	1.10	500	500	550	586	12	10	43
500	8925	250	1550	1.50	500	500	550	586	12	10	45
630	11600	255	1650	1.50	550	636	680	716	12	10	54
630	14620	255	1650	2.20	550	636	680	716	12	10	62
630	17250	255	1650	3.00	550	636	680	716	12	10	64
710	20400	255	1550	3.00	600	716	770	816	16	12	72
710	23800	255	1550	4.00	600	716	770	816	16	12	84
710	27200	255	1550	5.50	600	716	770	816	16	12	102
800	22100	255	1650	3.00	700	806	860	906	16	12	85
800	27200	255	1650	4.00	700	806	860	906	16	12	77
800	32300	255	1650	5.50	700	806	860	906	16	12	113
800	32300	255	1650	7.50	700	806	860	906	16	12	120
900	40800	255	1500	5.50	700	906	960	1006	16	12	125
1000	47600	255	1500	7.50	800	1010	1080	1130	24	14	132