

## GFO Series

Technical catalogue: Fume Extraction  
Section: Static Filters

Our new filter for Oil mist extraction has bigger air flow capacities (1.000 m<sup>3</sup>/h) and higher filtration efficiencies (up to 99% at 0.3µm) than the traditional oil mist filters. Additionally the installation has been made easier.

The GFO Filter is used for filtration of oil mists from machines such as CNC lathing, milling and drilling machines etc., which all use oil types such as cutting oil (regular, semi-synthetic or synthetic), or water based emulsions. The filtration efficiency can be up to 99% at 0,3 µm.

The cabinet is made in galvanized steel and lacquered RAL 9005 Jet black.

### Spill Oil

Filtrated liquids can be recycled, back to the machine, saving money on expensive liquids.

### Filter cartridge

The filter cartridge is a washable filter membrane capable of handling both oil and water saturated mists and smoke.

### Filter cartridge change

The lock system on the filter makes for easy cleaning and replacing of the cartridge.

15-320 GFO 315 – 99 oil mist handling at 0,3 µm. Max air flow: 800 m<sup>3</sup>/h. inlet = ø200 mm, discharge= ø350 mm.

15-321 GFO 315 – 99 oil mist handling at 0,3 µm. Max air flow: 1.000 m<sup>3</sup>/h. inlet = ø200 mm, discharge= ø350 mm. Prolonged filter for applications with large filter loading

15-319 GFO-315- SMALL -up to 99% oil mist handling at 0,3 µm. Max air flow: 300 m<sup>3</sup>/h. inlet = ø200 mm, discharge = ø315 mm. Prolonged filter for applications with large filter loading.

### Ordering

Art. no.	A	B	C
15-319 GeoFilter GFO 315 SMALL	704	300	790
15-320 GeoFilter GFO 315	988	595	1068
15-321 GeoFilter GFO 315 EXT	1.188	795	1268

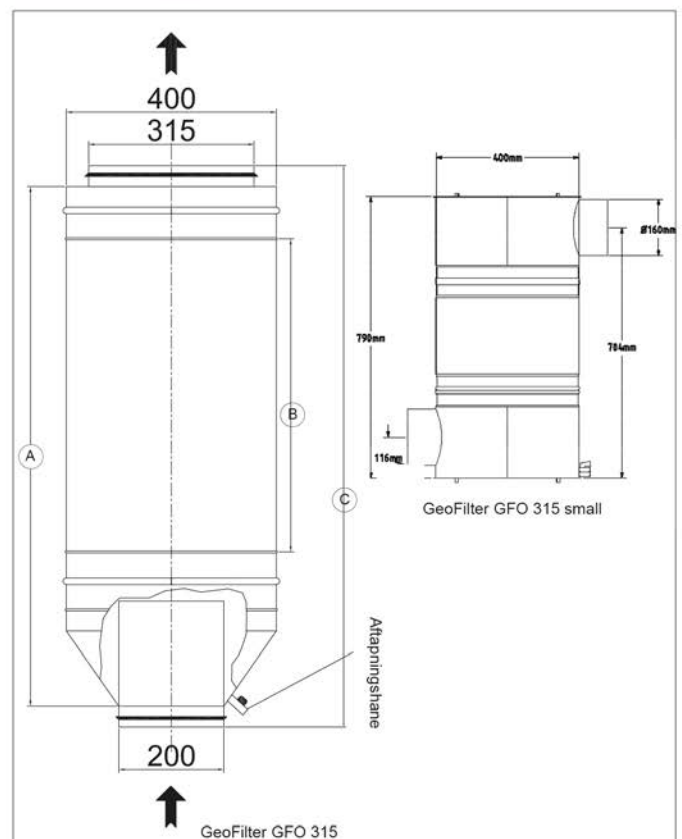
### Accessories

15-334 Filter cartridge for GFO small - 1,8m <sup>2</sup>
15-335 Filter cartridge for GFO standard - 3,7m <sup>2</sup>
15-336 Filter cartridge for GFO XL - 4,9m <sup>2</sup>



GeoFilter GFO 315

### Dimensions



GeoFilter GFO 315

