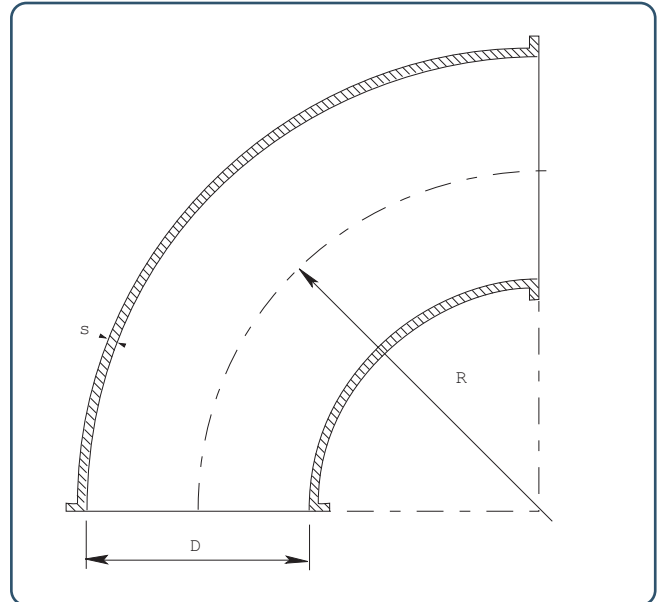


Pressed bends, 2 and 3 mm

Diameter for 2 mm: $\phi 100 - \phi 400$ mm.

Diameter for 3 mm: $\phi 150 - \phi 200$ mm.

Pressed bends are made of 2.00 and 3.00 mm sheet metal (s).



Dimensional specifications are given in the table below.
 $R = 1.5 \times D$ for all dimensions.

When replacing the galvanized bend with 2 – 3.00 mm bend, there may be tolerance differences of ± 20 mm.

| Dimensions | | | | | | | | | | | |
|------------|---------|----------|-------|----------|-------|----------|-------|----------|------|----------|------|
| D mm | s mm | 90° | | 60° | | 45° | | 30° | | 15° | |
| | | Item no. | kg | Item no. | kg | Item no. | kg | Item no. | kg | Item no. | kg |
| 100 | 2,00 | 1141292 | 1,20 | 1141262 | 0,90 | 1141242 | 0,60 | 1141232 | 0,40 | 1141212 | 0,20 |
| 120 | 2,00 | 1142292 | 1,80 | 1142262 | 1,20 | 1142242 | 0,90 | 1142232 | 0,60 | 1142212 | 0,30 |
| 125 | 2,00 | 1143292 | 2,00 | 1143262 | 1,30 | 1143242 | 1,00 | 1143232 | 0,70 | 1143212 | 0,40 |
| 150 | 2,00 | 1145292 | 2,90 | 1145262 | 2,00 | 1145242 | 1,40 | 1145232 | 1,00 | 1145212 | 0,50 |
| 160 | 2,00 | 1146292 | 3,20 | 1146262 | 2,20 | 1146242 | 1,60 | 1146232 | 1,10 | 1146212 | 0,70 |
| 180 | 2,00 | 1147292 | 3,80 | 1147262 | 2,70 | 1147242 | 1,90 | 1147232 | 1,40 | 1147212 | 0,70 |
| 200 | 2,00 | 1148292 | 5,00 | 1148262 | 3,40 | 1148242 | 2,50 | 1148232 | 1,70 | 1148212 | 0,70 |
| 250 | 2,00 | 1150292 | 8,90 | 1150262 | 5,90 | 1150242 | 4,40 | 1150232 | 2,90 | 1150212 | 1,40 |
| 300 | 2,00 | 1151292 | 12,90 | 1151262 | 7,60 | 1151242 | 6,40 | 1151232 | 4,30 | 1151212 | 1,90 |
| 350 | 2,00 | 1153292 | 17,80 | 1153262 | 12,00 | 1153242 | 9,30 | 1153232 | 5,20 | 1153212 | 3,20 |
| 400 | 2,00 | 1154292 | 23,50 | 1154262 | 15,70 | 1154242 | 11,80 | 1154232 | 7,50 | 1154212 | 4,10 |
| 150 | 3,00 | 1145392 | 4,30 | 1145362 | 3,00 | 1145342 | 2,20 | 1145332 | 1,50 | 1145312 | 0,80 |
| 160 | 3,00 | 1146392 | 4,80 | 1146362 | 3,20 | 1146342 | 2,40 | 1146332 | 1,60 | 1146312 | 1,00 |
| 180 | 3,00 | 1147392 | 6,20 | 1147362 | 4,10 | 1147342 | 3,10 | 1147332 | 2,10 | 1147312 | 1,10 |
| 200 | 3,00 | 1148392 | 7,50 | 1148362 | 5,10 | 1148342 | 3,70 | 1148332 | 2,50 | 1148312 | 1,30 |

The item numbers stated are for primed pressed bends assembled using pull rings [f.b].

Pressed bends are also available for other assembly methods.