

### 30° straight branch pieces, stainless steel

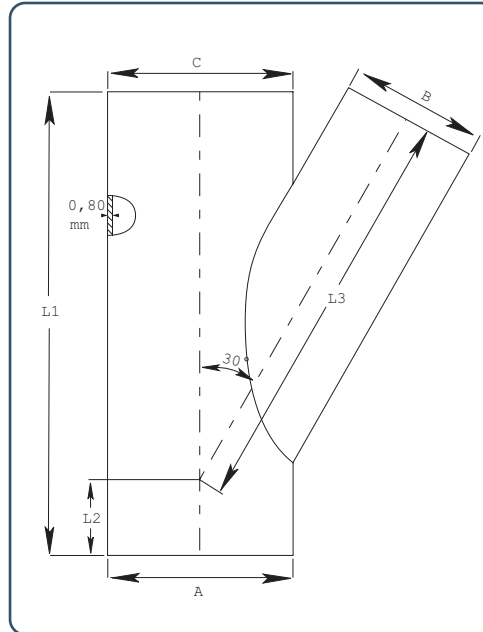
Diameter:  $\phi 80 - \phi 400$  mm

Branch pieces are made of 0,80 mm sheet metal.

When assembled with loose flanges, [f,b,m,fl], L1 is extended by 2 x 50 mm.

State A-, B- and C dimensions when ordering,  
Options are limited by  $A = C \geq B$ ,  
 $A = C$  must be max, 1000 mm.

The branch determines the length of L1,  
Branch pieces can only be fitted to straight ducts with the branch placed centrally.



Dimensions					
A = C mm	B mm	L1 mm	L2 mm	L3 mm	$\alpha$
	80	350			28,0
	100	350			28,8
	120	350			28,8
	125	400			29,0
	140	450			29,1
	150	450			29,2
	160	450			29,2
	180	550			29,3
	200	550			29,3
	225	600			29,4
	250	750			29,5
	275	750			29,6
Choose	300	750	Calculated	Calculated	29,6
	315	850			29,6
	350	950			29,6
	400	1050			29,7
	450	1250			29,7
	500	1250			29,7
	550	1450			29,8
	600	1450			29,8
	630	1650			29,8
	650	1650			29,8
	700	1650			29,8
	750	1850			29,9
	800	1850			29,9
	850	2050			29,9
	900	2050			29,9

## 45° straight branch pieces, stainless steel

Diameter:  $\phi 80 - \phi 400$  mm,

Branch pieces are made of 0,80 mm sheet metal.

When supplied with loose flanges. [f,b,m,fl],

L1 is extended by 2 x 50 mm,.

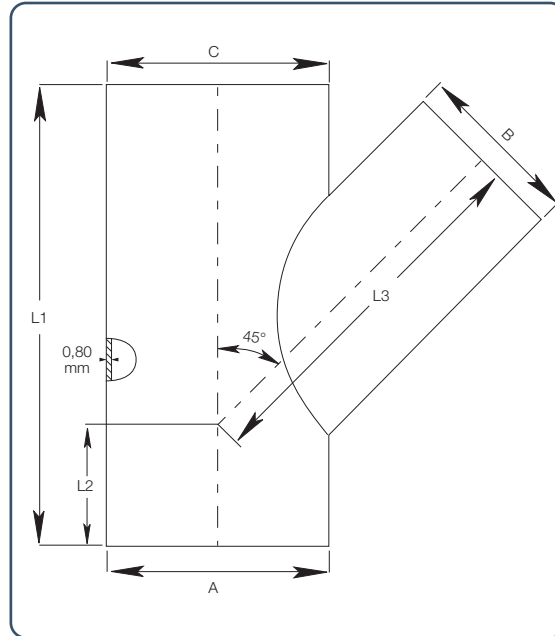
State A-, B- and C dimensions when ordering. Options are limited by

$A = C \geq B$ ,

A = C must be max, 1000 mm,

The branch determines the length of L1,

Branch pieces can only be fitted to straight ducts with the branch placed centrally.



Dimensions						
A = C mm	B mm	L1 mm	L2 mm	L3 mm	$\alpha$	
	80	300				43,8
	100	300				43,8
	120	350				44,0
	125	350				44,0
	140	350				44,1
	150	400				44,2
	160	400				44,2
	180	400				44,3
	200	450				44,4
	225	500				44,5
	250	500				44,5
	275	600				44,6
Choose	300	600		Calculated	Calculated	44,6
	315	600				44,6
	350	700				44,7
	400	800				44,7
	450	950				44,7
	500	950				44,8
	550	1150				44,8
	600	1050				44,8
	630	1150				44,8
	650	1150				44,8
	700	1300				44,8
	750	1300				44,8
	800	1450				44,9
	850	1450				44,9
	900	1650				44,9

### 30° trouser pieces, stainless steel

Diameter:  $\varnothing 80 - \varnothing 1000$  mm,

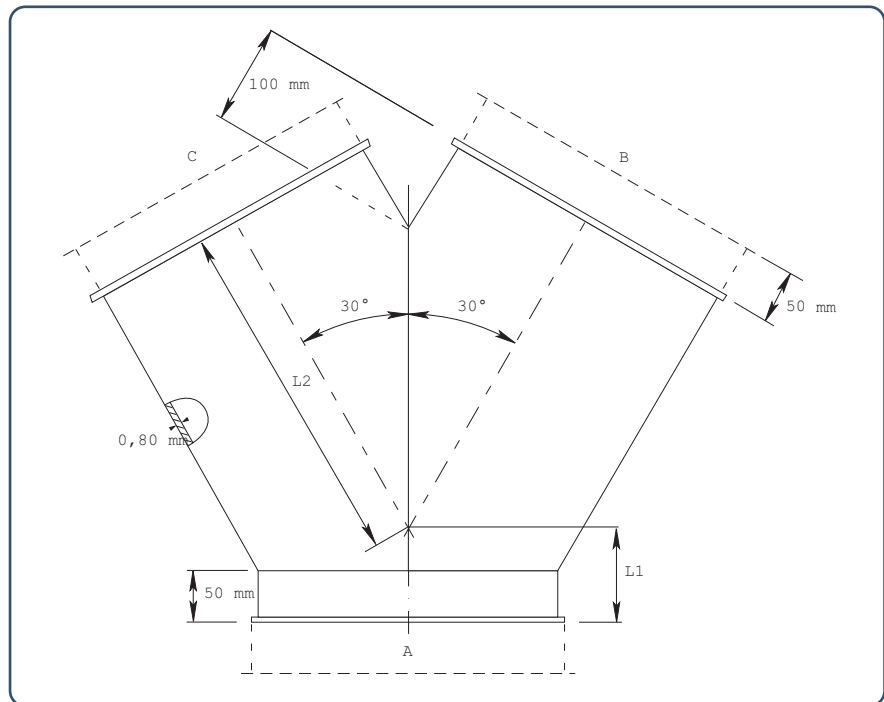
Galvanised trouser pieces are made of  
0,80 mm sheet metal.

State A-, B- and C dimensions when ordering,  
Trouser pieces are extended by 50 mm on legs  
B and C when assembled by wide pull rings  
[f,bb], rapid lock pull rings [f,lyn], or loose flanges  
[f,b,m,fl],

Fercell can also supply trouser pieces in other  
angles and qualities.

For galvanised trouser pieces:

$A \geq B$  and  $A \geq C$ , When  $C \neq B$ , the highest value of  
B and C shall be used for calculation.



Calculation of L1 and L2 for  $2 \times 30^\circ$ :

$$L1 = (A \times 0,134) + 50$$

$$L2 = (B \times 0,866) + 100$$

Example:

$$A = B = C = 200$$

$$L1 = (200 \times 0,134) + 50 = 76,8$$

$$L2 = (200 \times 0,866) + 100 = 273,2$$

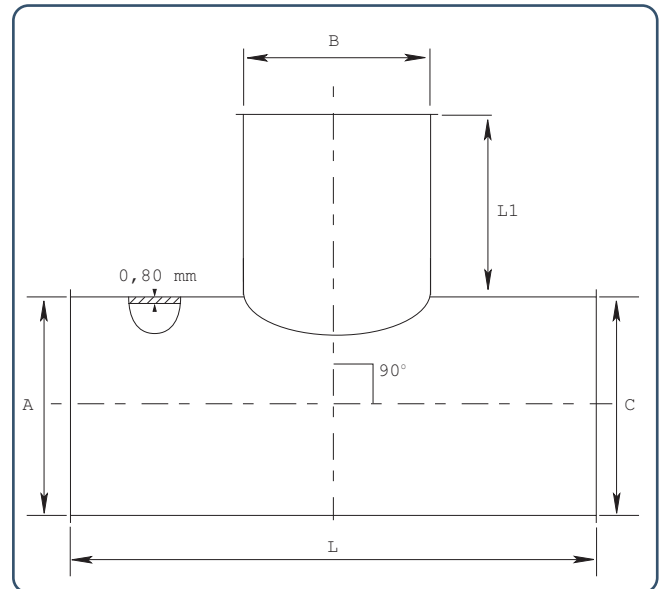
## 90° T-pieces, stainless steel

Diameter:  $\varnothing 80 - \varnothing 1000$  mm,

T-pieces in stainless steel are made of 0,80 mm sheet metal

For dimensions apply:

State A-, B- and C dimensions when ordering.



Dimensional specifications are given in the table below,

Dimensions				
B mm	s mm	L mm	L1 mm	
80	0,80	230	75	
100	0,80	250	75	
120	0,80	270	75	
125	0,80	275	75	
140	0,80	290	75	
150	0,80	300	75	
160	0,80	310	75	
180	0,80	330	75	
200	0,80	350	75	
225	0,80	425	100	
250	0,80	450	100	
275	0,80	475	100	
300	0,80	500	100	
315	0,80	515	100	
350	0,80	550	100	
400	0,80	600	100	
450	0,80	750	150	
500	0,80	800	150	
550	0,80	850	150	
600	0,80	900	150	
630	0,80	930	150	
650	0,80	950	150	
700	0,80	1100	200	
750	0,80	1150	200	
800	0,80	1200	200	
850	0,80	1250	200	
900	0,80	1300	200	
950	0,80	1350	200	
1000	0,80	1400	200	

The item numbers stated are for T-pieces assembled using pull rings [f,b],

T-pieces are also available for other assembly methods.